

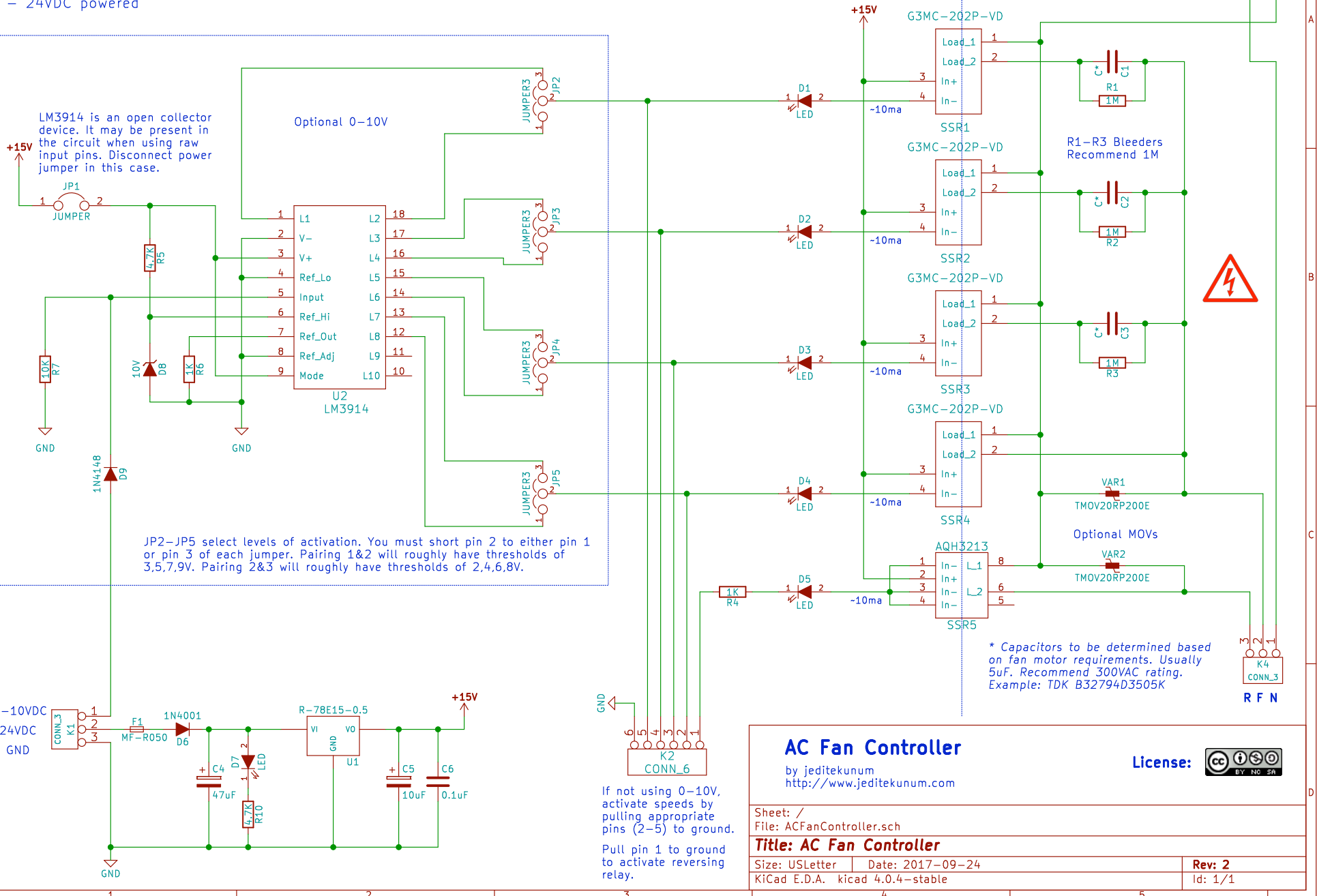
AC Fan Controller

- Up to 3 speeds plus full
- Optional fan reverse
- Open collector (or relay) control
- Optional 0-10VDC control
- 24VDC powered

The reversing feature requires 14/3 wiring to the fan and in most cases a fan with built in light. The 3rd (red) wire that powered the light will be used to activate a 120VAC DPDT relay. The relay replaces the direction switch in the fan. The light will no longer be functional.

WARNING! This circuit uses potentially LETHAL VOLTAGES.

The author accepts no responsibility for your use or misuse of this circuit.



LM3914 is an open collector device. It may be present in the circuit when using raw input pins. Disconnect power jumper in this case.

Optional 0-10V

JP2-JP5 select levels of activation. You must short pin 2 to either pin 1 or pin 3 of each jumper. Pairing 1&2 will roughly have thresholds of 3,5,7,9V. Pairing 2&3 will roughly have thresholds of 2,4,6,8V.

* Capacitors to be determined based on fan motor requirements. Usually 5uF. Recommend 300VAC rating. Example: TDK B32794D3505K

If not using 0-10V, activate speeds by pulling appropriate pins (2-5) to ground.

Pull pin 1 to ground to activate reversing relay.

AC Fan Controller

by jeditekunum
<http://www.jeditekunum.com>

License:

Sheet: /
 File: ACFanController.sch

Title: AC Fan Controller

Size: USLetter Date: 2017-09-24
 KiCad E.D.A. kicad 4.0.4-stable

Rev: 2
 Id: 1/1